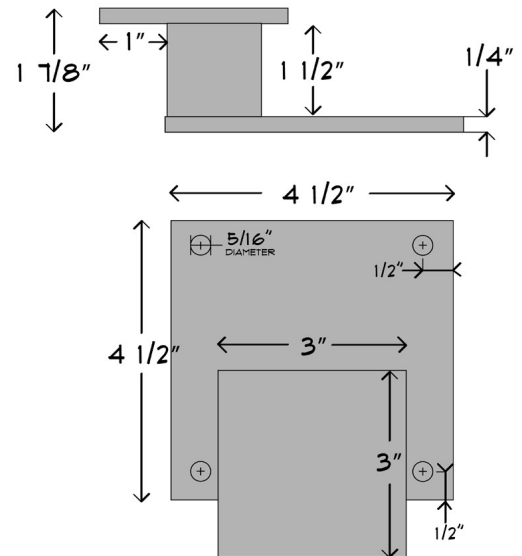
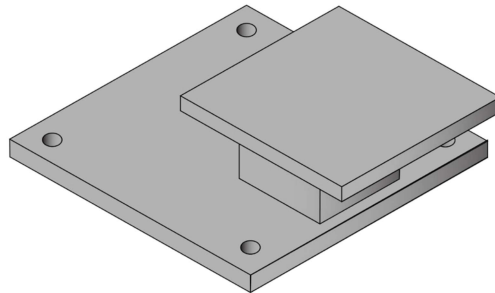


DESCRIPTION

Elevation® RSE (Railing Embed Support) is a steel stanchion using two pieces of 1/4" steel welded to a 1-1/2" steel post for use with Elevation® Balcony and Breezeway Waterproofing Systems. Elevation® RSE's provide a mounting platform for railing systems to weld to once the finished concrete is installed. Due to the offset top plate and post, you lose less square footage of the balcony. The primer coating of Elevation® RSE withstands the elements providing long term durability. Once waterproofing and concrete installation is complete, simply weld railing to RSE for a secure railing system.

Elevation® RSE is specifically designed for use with the Elevation® Balcony Embed System.



TYPICAL PHYSICAL PROPERTIES

Elevation® RSE

Physical Properties

- Raw Material – Primed 1/4" Steel, 1-1/2" Steel Tube
- Color – Light Grey
- Thickness - .25 in
- Width – Bottom Plate 4.5 in by 4.5 in /Top Plate 3 in x 3 in Offset
- Weight – 2.5 lbs
- Meets or exceeds IBC 1607.8.1 and OSHA 1910.23(e)(3)(v) for minimum force requirements.
- Packaging: 10 ea per box

Installation

Installation typically performed by railing subcontractor. Once layout is complete, using the required set back parameters of 3" from edge of deck and 3 1/2" from walls, predrill the pilot holes through the predrilled holes of the embed. Use accompanying fasteners (4ea per embed) to secure embed into below deck blocking. The top plate should extend towards the nearest edge of the deck as illustrated. Once fastened tightly, installation is complete.

