

DESCRIPTION

Elevation™ FT Tape is a pressure sensitive tape recommended for use during flood testing of installed Elevation™ Waterproofing Systems. The tape is manufactured with a nominal 2 mil aluminum foil backing and a high-performance rubber adhesive. The adhesive provides an instant, durable waterproof bond in adverse weather conditions and conforms to irregular surfaces for a superior seal. The tape is easily pierced after flood testing is completed using a putty knife, reducing the risk of damage to the waterproofing system. Elevation™ FT Tape is recommended for use as part of both the Elevation™ Seamless Waterproofing System as well as the S60 Sheet Waterproofing system.



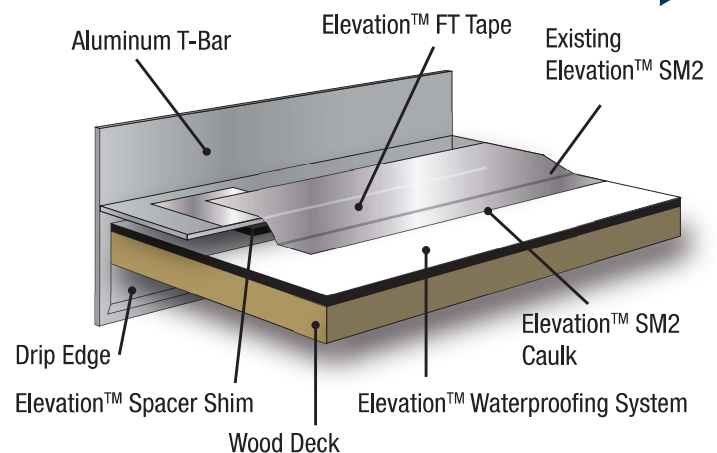
TECHNICAL SPECIFICATION

Raw Material		Aluminum/Rubber
Color		Silver
Roll Width	in.	2.5 (63mm)
Roll Length	ft.	150 (45M)
Backing Thickness		2 mils (0.05mm)
Total Thickness		3.5 mils (0.09mm)
Tensile Strength		20 lb/in (88N/25mm)
Elongation		3%
Adhesion to Steel/Aluminum		90 oz/in (25N/25mm)

PACKAGING

20 rolls per box

INSTALLATION DETAIL



INSTALLATION

- Apply a small amount of approved sealant to the top of each nail penetrating the T-bar
- Cover all nail heads with pieces of Elevation™ FT Tape to ensure they seal completely and rough edges do not pierce the tape during the application process. The tape can be ripped easily by hand into small squares for this purpose
- Start application of Elevation™ FT Tape by overlapping the approved sealant at one end of the balcony by at least 1 ½"
- Apply and smooth Elevation™ FT Tape along the length of the t-bar, removing the backer as you go. The tape should overlap about ¾-1" on the t-bar. Care should be taken to prevent piercing the tape. If necessary, a small piece of the tape can be used to repair any punctures.
- Continue the application until Elevation™ FT Tape is overlapping the approved sealant at its next termination by at least ½"
- Apply a 3/8" bead of approved sealant at each end of the tape termination, extending at least 2" past any existing sealant.
- Smooth the bead of sealant with a finger or tool to ensure a solid seal at the edges of the tape.
- Apply water for flood test. FT Tape can be applied while balcony is wet to seal leaks.
- The tape can be easily pierced the next morning with minimal pressure to release water through weep system.

STORAGE AND PROTECTION

Product should be stored in its original packaging out of direct sunlight between 40°F (5°C) and 100°F (38°C) . Tape should be used within 12 months of date of shipment.